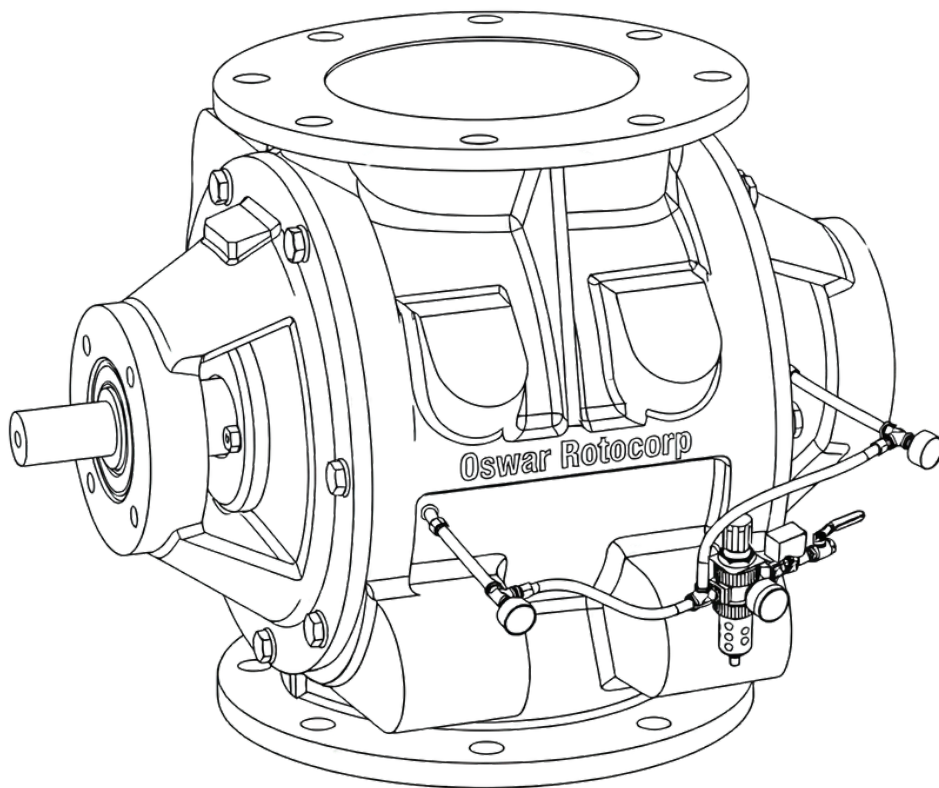



CERAMICS INDUSTRY

RAW MATERIAL & KILN FEEDING SYSTEMS



OSWAR
rotocorp

A photograph of a large industrial ceramic manufacturing facility at sunset. The sky is a mix of orange, red, and yellow. In the foreground, there are large piles of raw materials, possibly straw or dried plant matter. The facility itself is a complex of dark metal structures, including tall chimneys and conveyor belts. Several lights are on, casting a warm glow on the scene. The overall atmosphere is industrial and dramatic.

Ceramic manufacturing facilities process raw materials such as clay, feldspar, silica, alumina, zircon, and specialty mineral powders. Accurate batching, controlled discharge, and consistent material transfer are critical for maintaining product strength, finish, and firing quality.

Oswar Rotocorp provides engineered flow control solutions designed for spray dryer feeding, silo discharge, pneumatic conveying, batching systems, and kiln charging applications. Our equipment ensures smooth material handling while maintaining efficient airlock performance and process stability.

KEY PROCESS AREAS

RAW MATERIAL
SILO DISCHARGE

SPRAY DRYER
POWDER
HANDLING

BATCHING &
WEIGHING
SYSTEMS

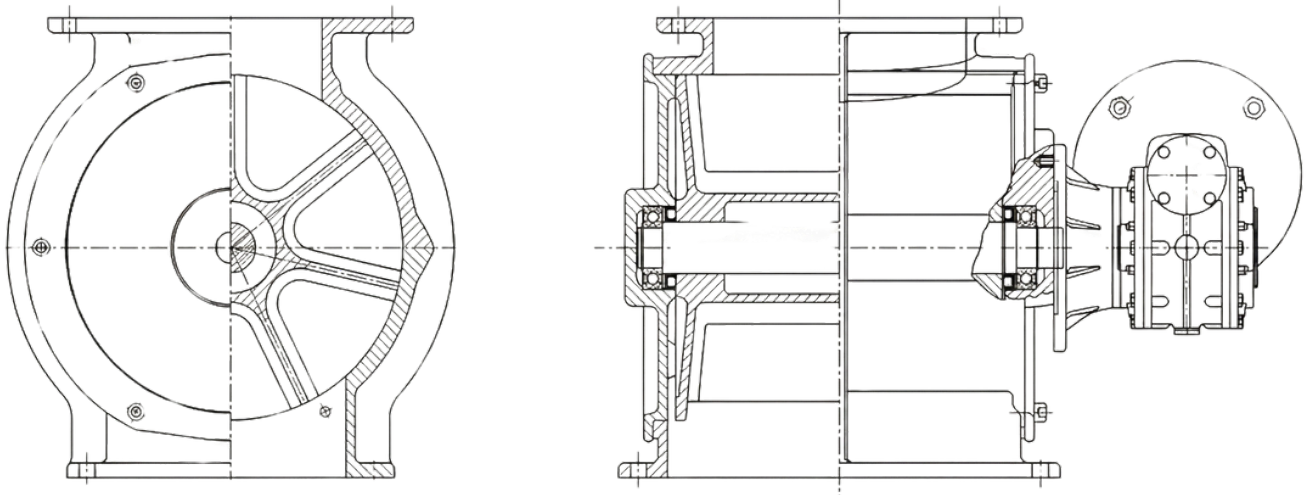
KILN FEEDING
SYSTEMS

BUILT FOR DURABILITY & PROCESS PRECISION

Ceramic raw materials can be abrasive and fine in nature, requiring equipment that ensures stable volumetric feeding and minimal leakage. Consistent material proportioning is essential to achieve uniform density and firing performance.

Rotary Valves are engineered with reinforced housings and optimized rotor configurations to deliver uniform discharge and maintain airlock efficiency in pneumatic conveying systems.

Wear-resistant components enhance durability in mineral handling environments.



SOLUTION PORTFOLIO INCLUDES:

- Heavy-Duty Rotary Valves for Mineral Handling
- Pneumatic Conveying Rotary Valves
- High-Temperature Rotary Valves
- Slide Gate Valves for Silo Isolation
- Diverter Valves for Process Routing

SUPPORTING CONSISTENT CERAMIC QUALITY

- **Uniform & Controlled Material Feeding**
- **Improved Airlock Integrity**
- **Enhanced Wear Resistance**
- **Stable Operation Under Continuous Load**
- **Reduced Maintenance Frequency**
- **Extended Equipment Service Life**



OSWAR

rotocorp

Corporate Office

Jaipur, Rajasthan India
Nagpur, Maharashtra India

Sales Inquiries

info@oswarrotocorp.com

Helpline

[+44 7917 128505](tel:+447917128505) | +91 77422 36474

Copyright © 2026 OSWAR ROTOCORP. All Rights Reserved. OSWAR® is a registered trademark of **OSWAR ROTOCORP**. This brochure makes no offers, representations or warranties (express or implied), and information and data contained in this brochure are for general reference only and may change at any time.